

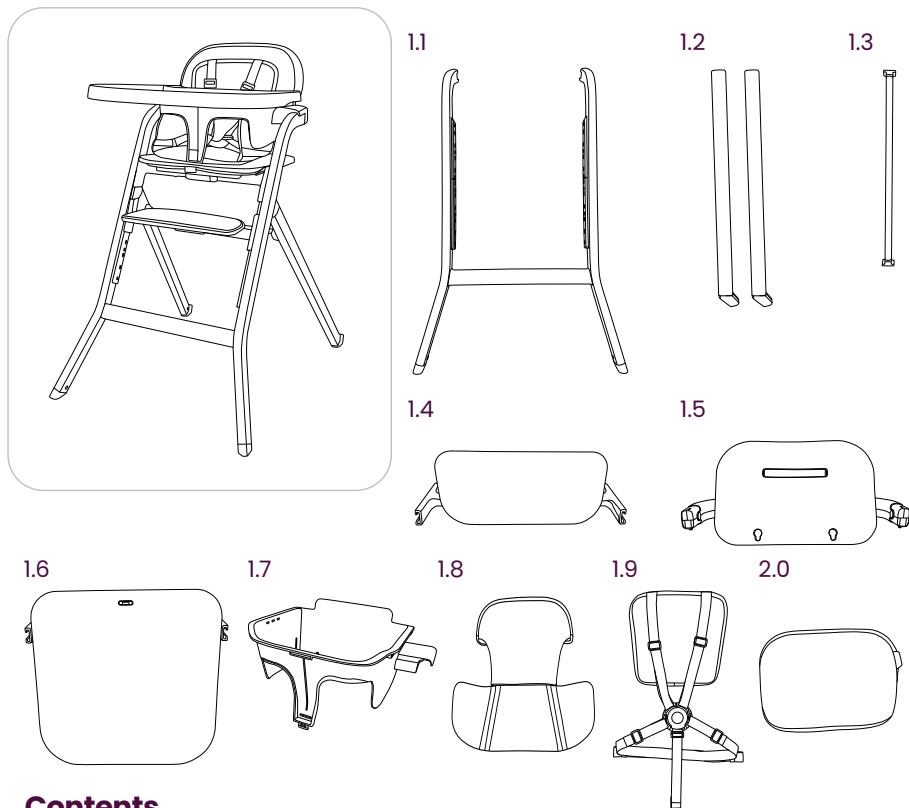
*Silver Cross*<sup>®</sup>

# Nest & Nurture

High Chair



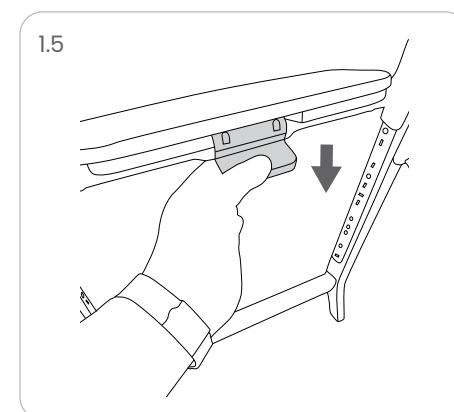
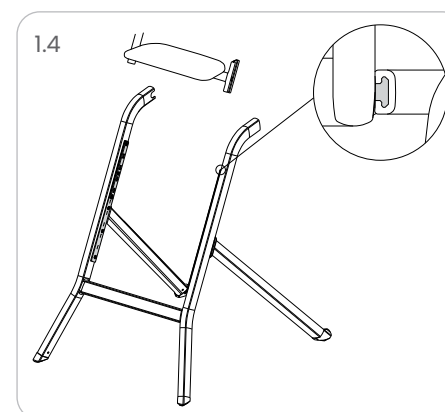
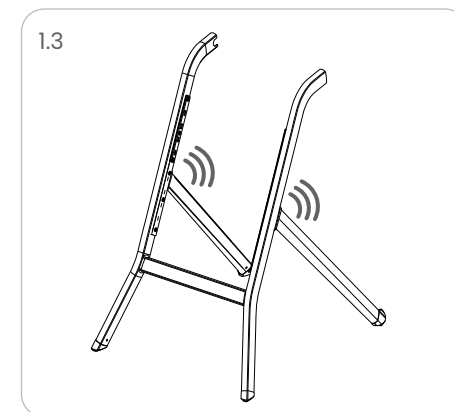
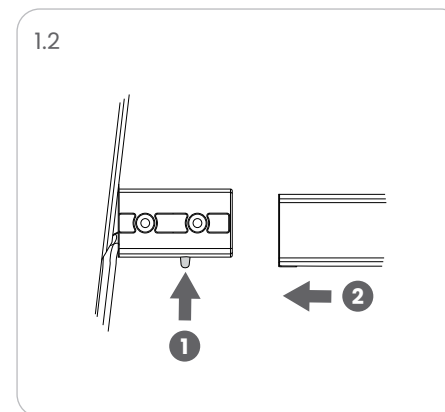
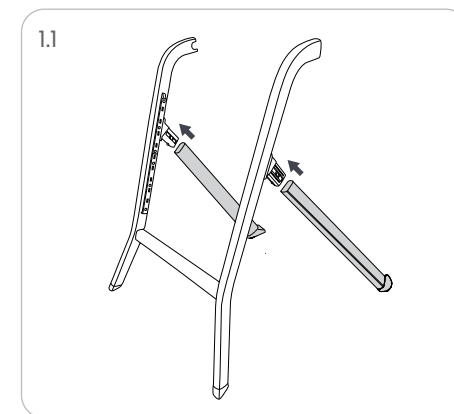
**IMPORTANT – READ THE INSTRUCTIONS CAREFULLY BEFORE USE AND KEEP FOR FUTURE REFERENCE**

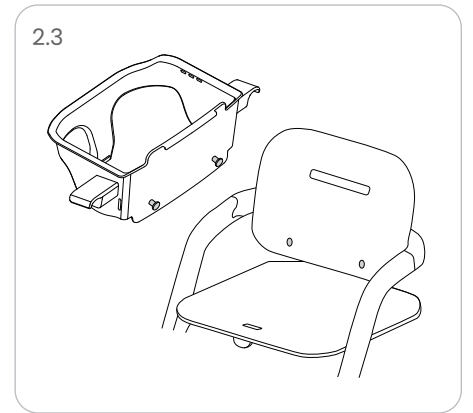
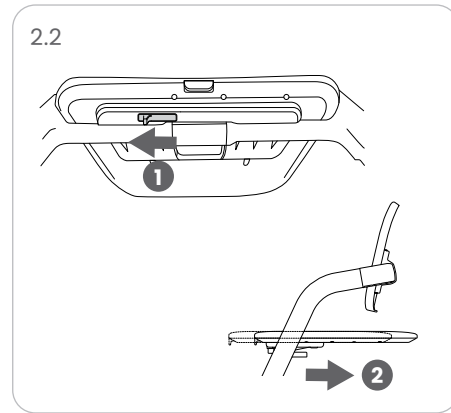
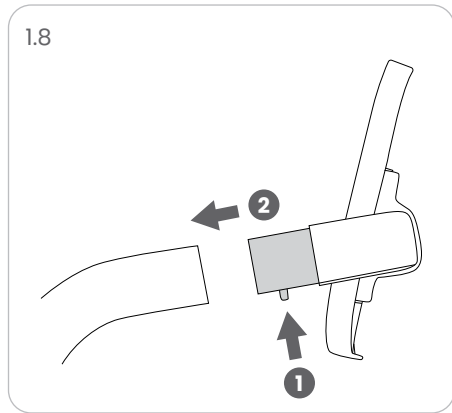
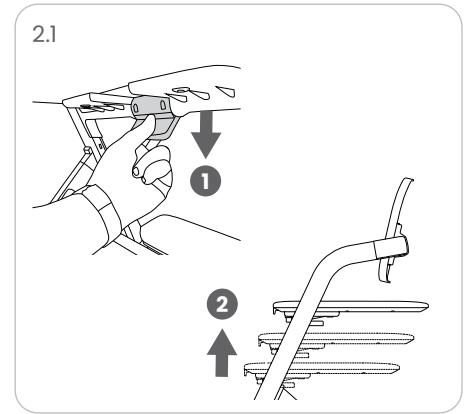
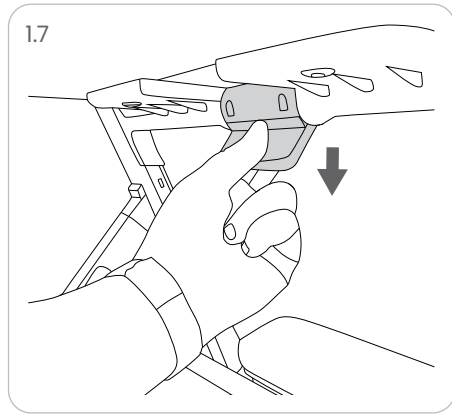


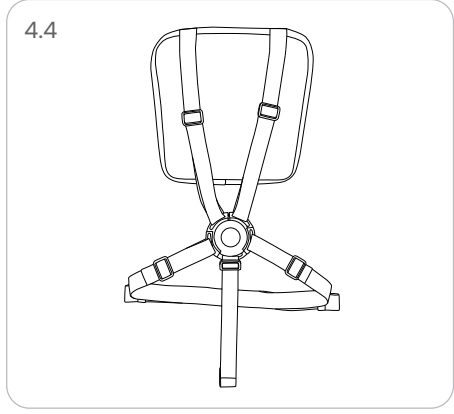
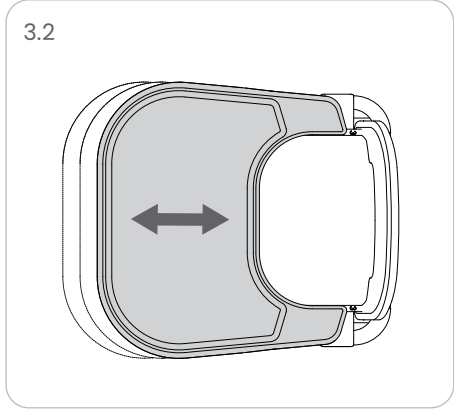
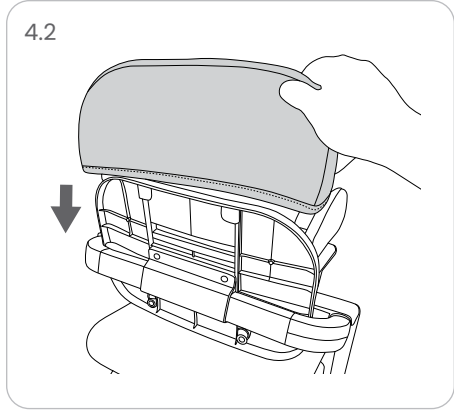
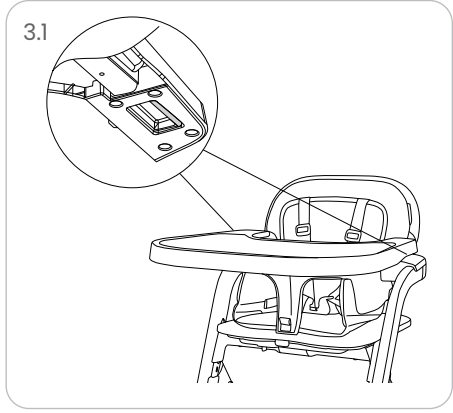
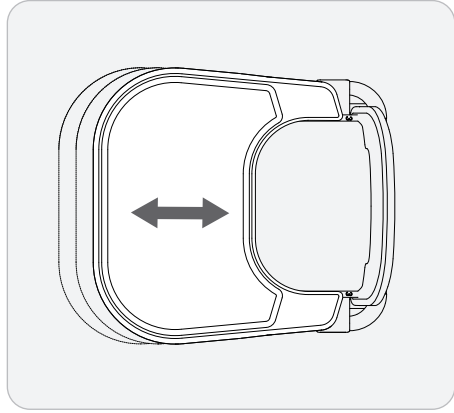
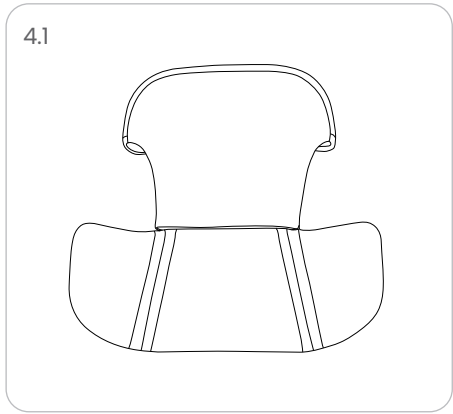
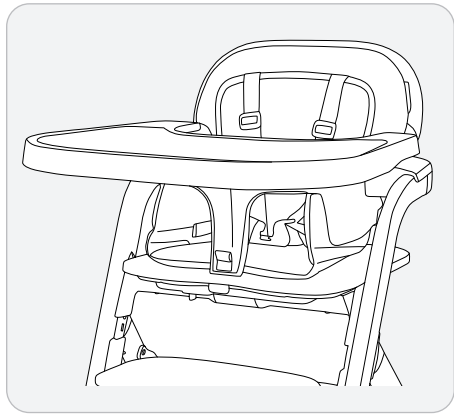
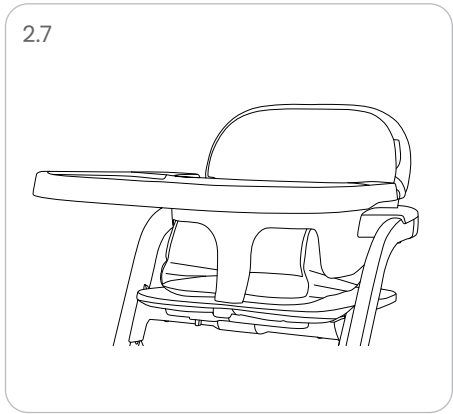
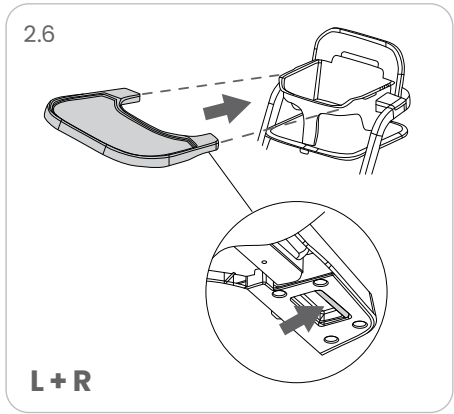
**Contents**

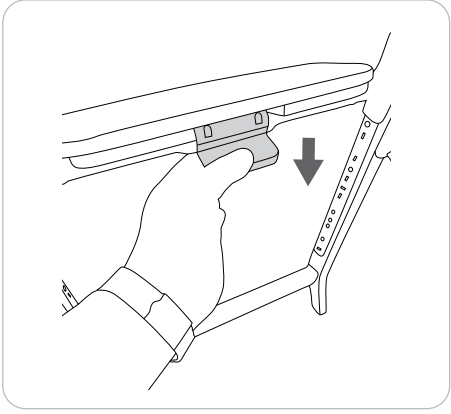
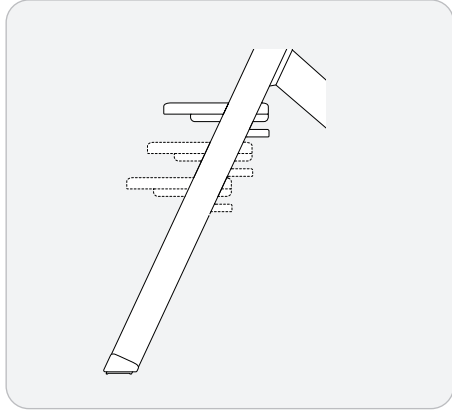
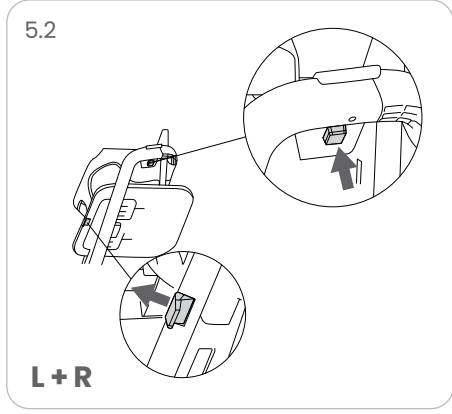
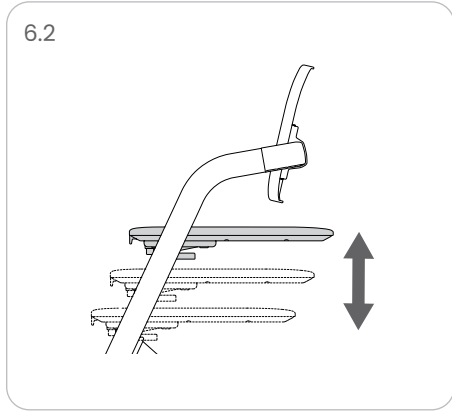
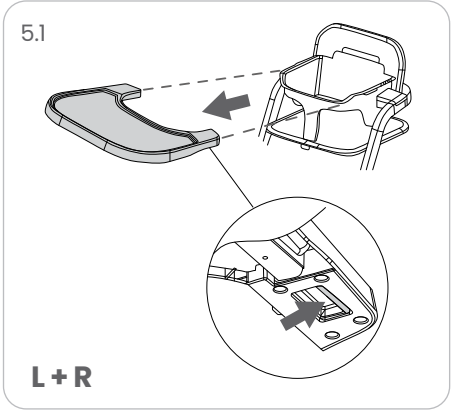
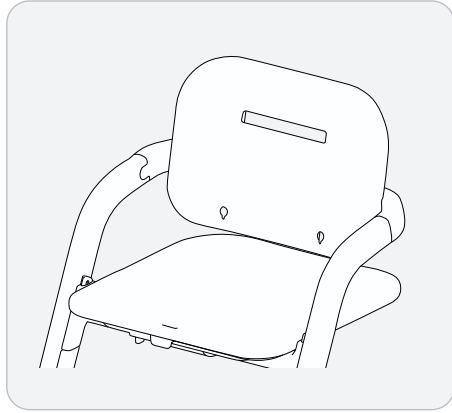
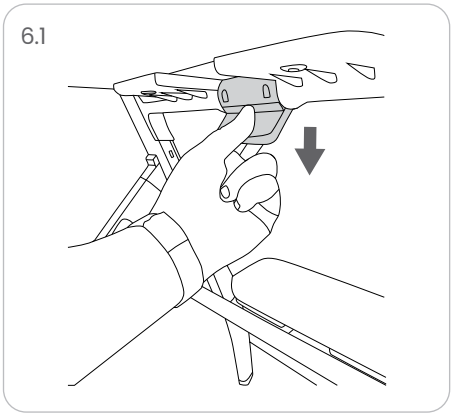
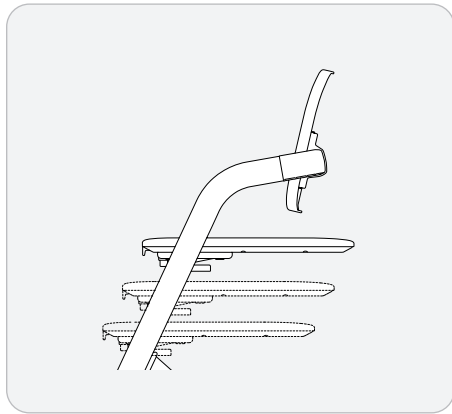
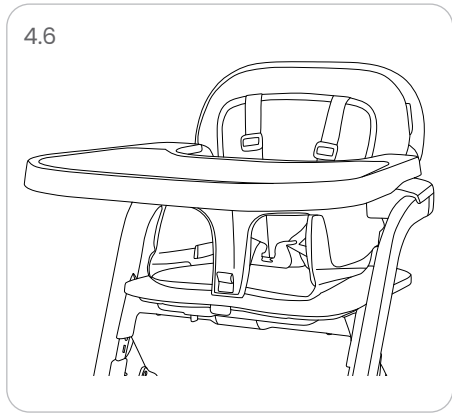
First check all your parts have been supplied.  
Your High Chair includes:

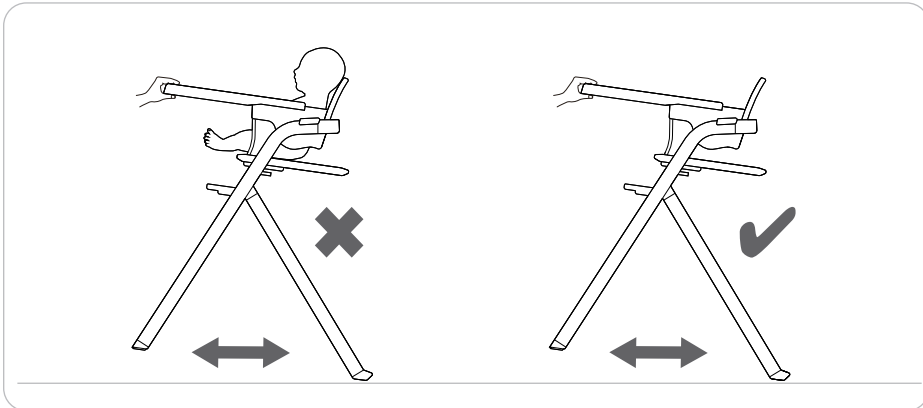
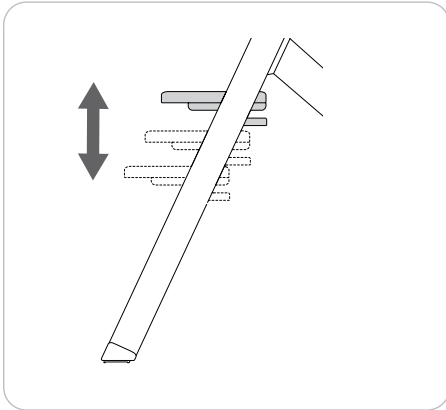
- |                    |                        |
|--------------------|------------------------|
| 1.1 Front Legs     | 1.6 Seat               |
| 1.2 Back Legs (2x) | 1.7 Baby Set           |
| 1.3 Crossbar       | 1.8 High Chair Fabrics |
| 1.4 Footplate      | 1.9 Harness            |
| 1.5 Back Rest      | 2.0 Adult Seat Fabrics |











## Safety Notes

If you have any problems with this product, please contact your Silver Cross retailer who will take appropriate action. Safety of the Child is your responsibility.

## WARNINGS

1. Never leave the child unattended.
2. Always use the restraint system.
3. Falling hazard: Prevent your child from climbing on the product.
4. Do not use the product unless all components are correctly fitted and adjusted.
5. Be aware of the risk of open fire and other sources of strong heat in the vicinity of the product.
6. Be aware of the risk of tilting when your child can push its feet against a table or any other structure.
7. For the baby chair mode, the product is designed for children who can sit on their own, aged no more than three years or weighing 15 kg or less. Do not use the product before the child can sit up on their own.
8. Do not use the high chair if any parts are broken, torn or missing.
9. DO NOT place this product near a window as it can be used as a step by the child and cause the child fall out the window.
10. DO NOT place this product near a window where cords from blinds or curtains could strangle a child.

## Safety / Warning

1. Store the product in a clean dry place.
2. Keep all moving parts clean, and lubricate them with silicone spray.

---

IM-TAD-25216-01r02 - Nest & Nurture High Chair

*Silver Cross*<sup>®</sup>

**UK**

Silver Cross (UK) Ltd.  
Micklethorn, Bwroughton, Skipton,  
North Yorkshire BD23 3JA

---

*Silver Cross*<sup>®</sup>

[silvercrossbaby.com](http://silvercrossbaby.com)

---