

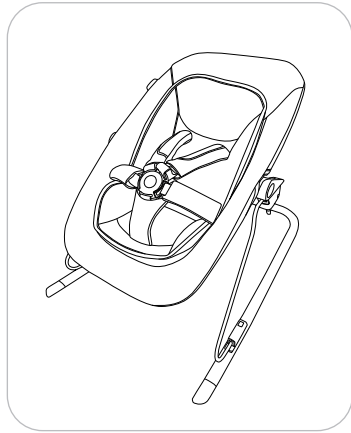
Silver Cross[®]

Nest & Nurture

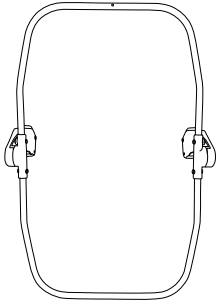
Bouncer



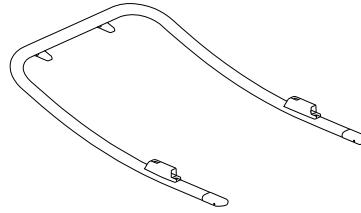
IMPORTANT – READ THE INSTRUCTIONS CAREFULLY
BEFORE USE AND KEEP FOR FUTURE REFERENCE



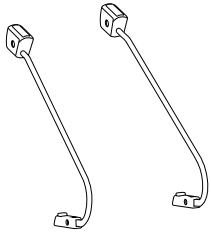
1.1



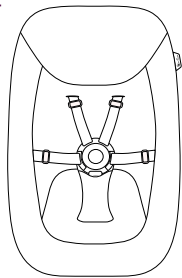
1.2



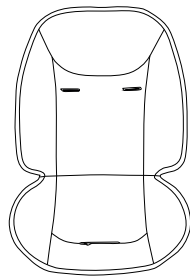
1.3



1.4



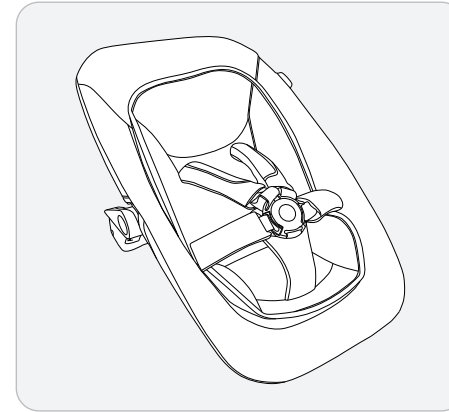
1.5



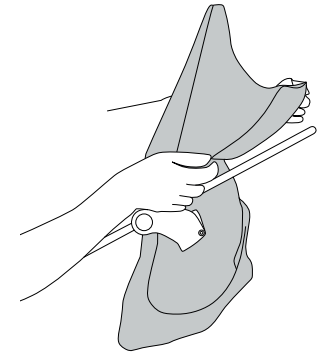
Contents

First check all your parts have been supplied.
Your High Chair includes:

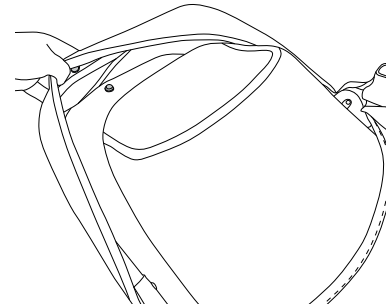
- 1.1 Bouncer Frame
- 1.2 Base Frame
- 1.3 Bouncing Wire
- 1.4 Bouncer Fabrics
- 1.5 Seat Liner



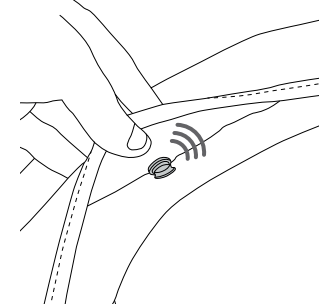
1.1



1.2

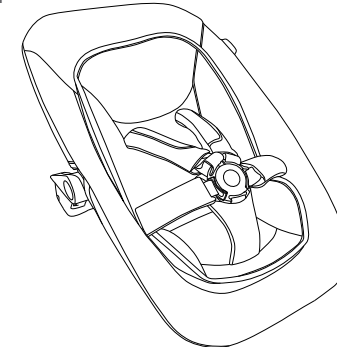


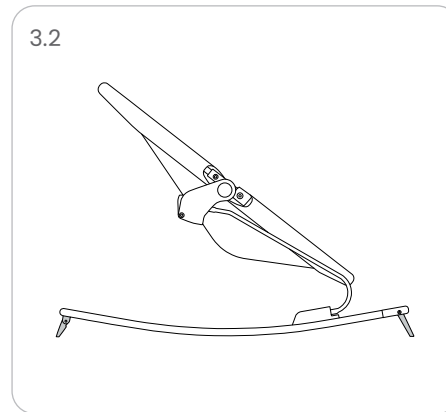
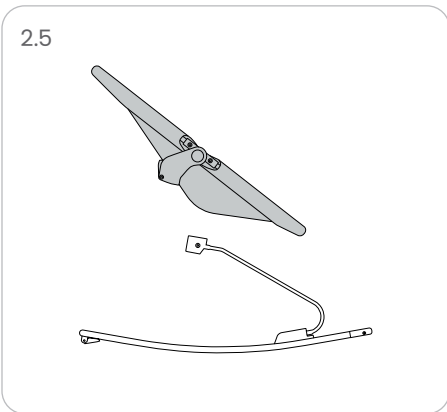
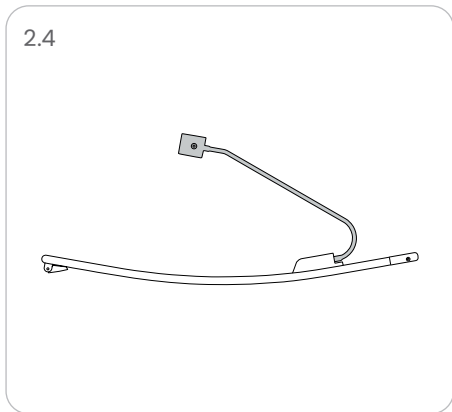
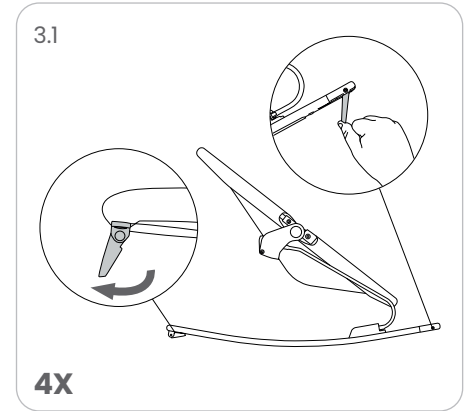
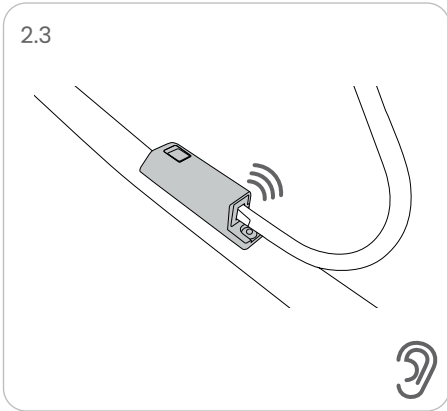
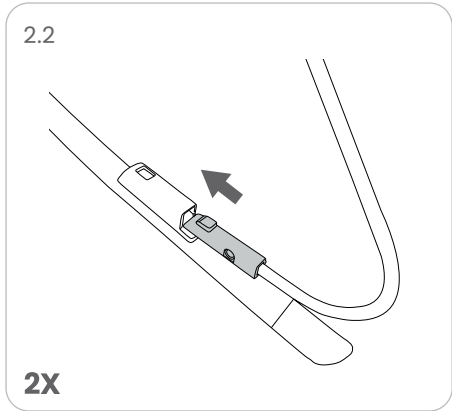
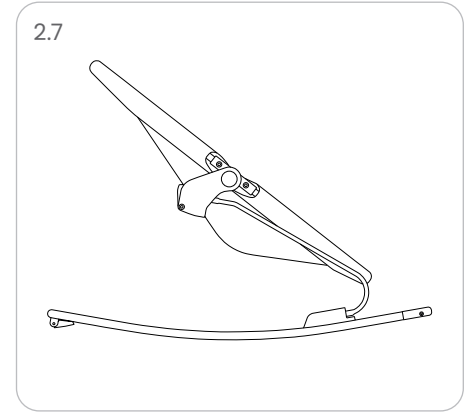
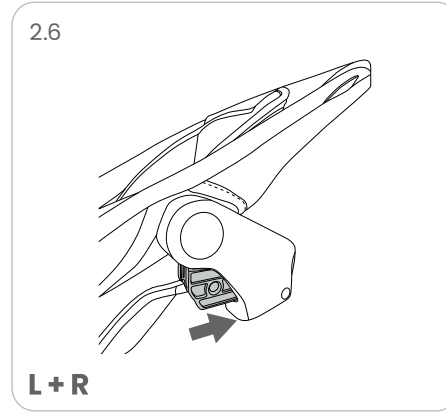
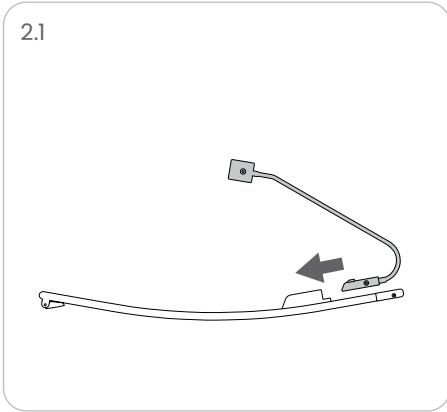
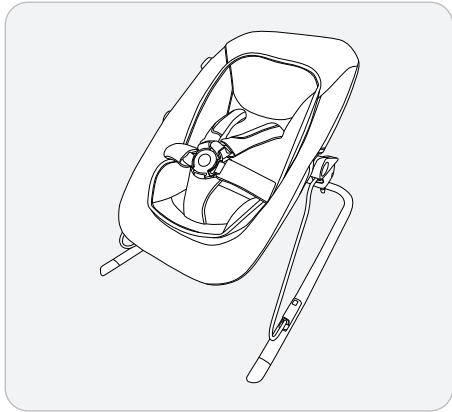
1.3

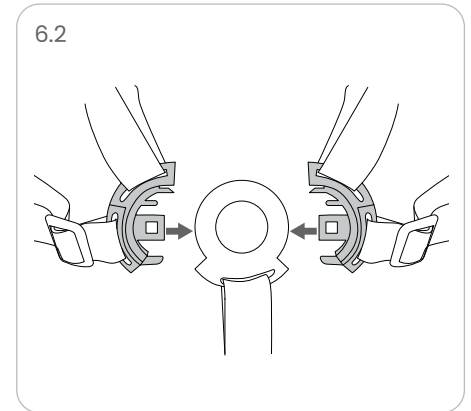
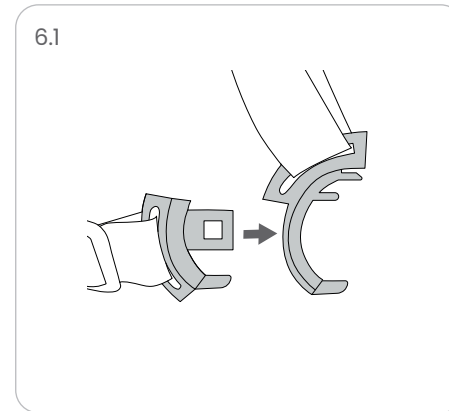
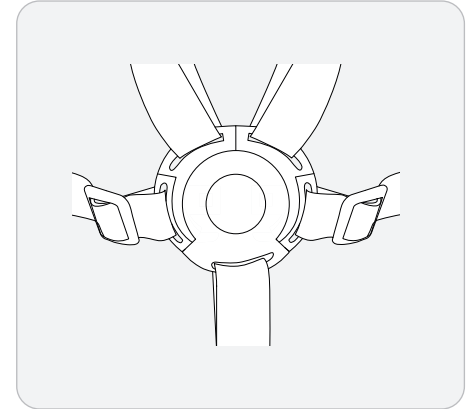
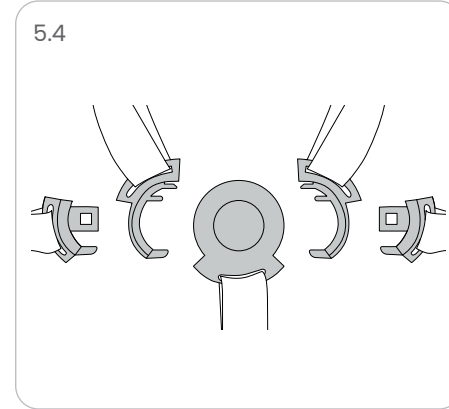
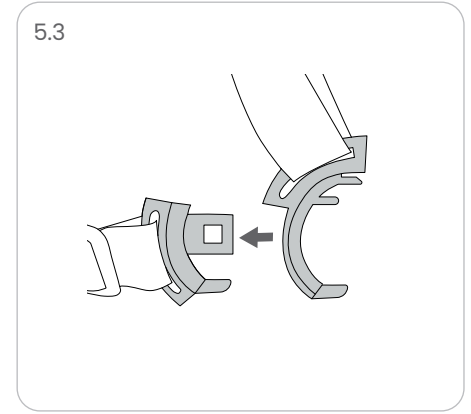
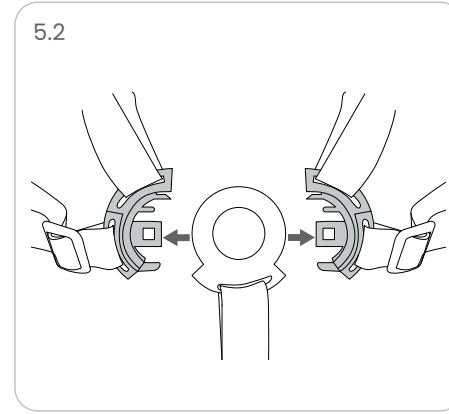
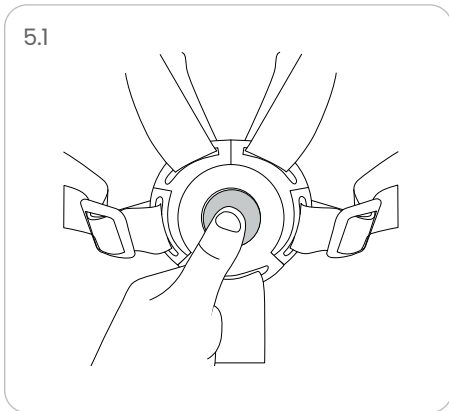
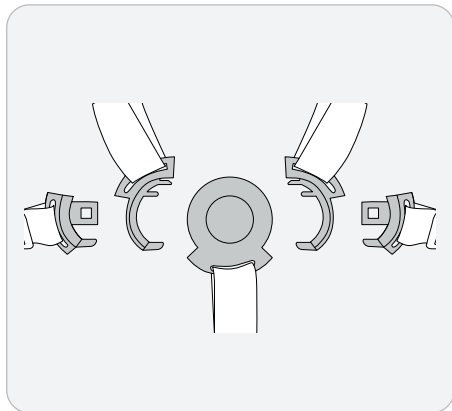
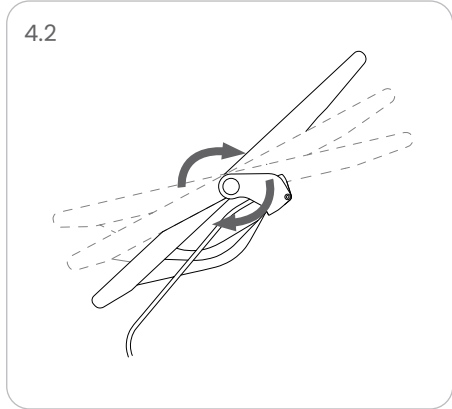
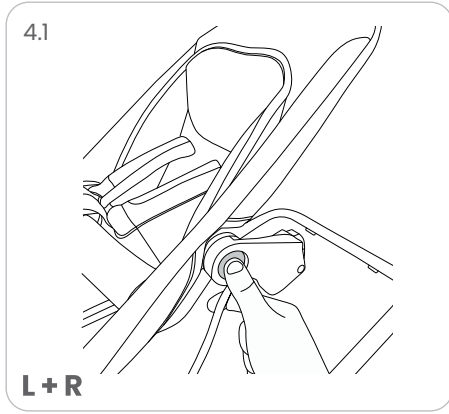
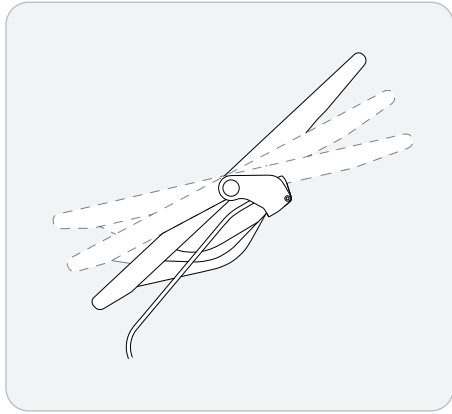


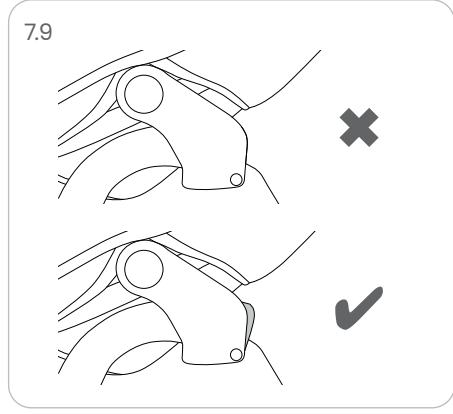
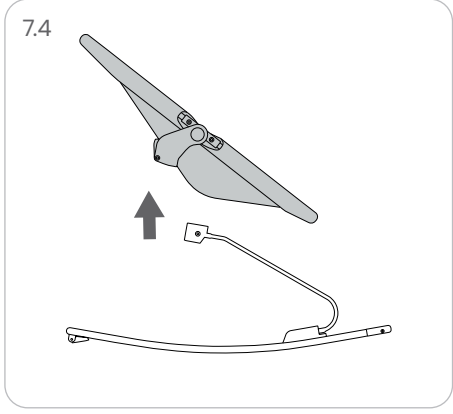
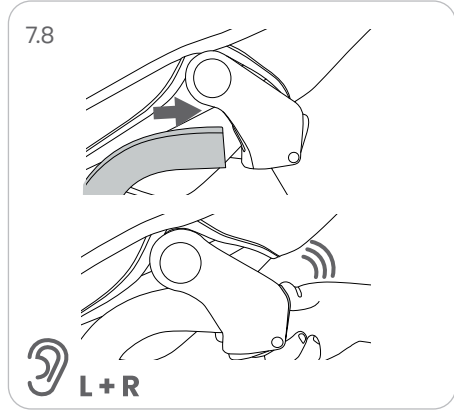
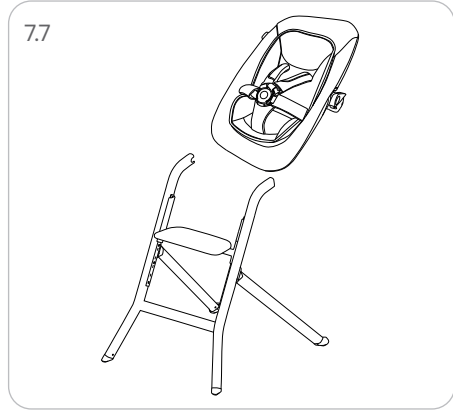
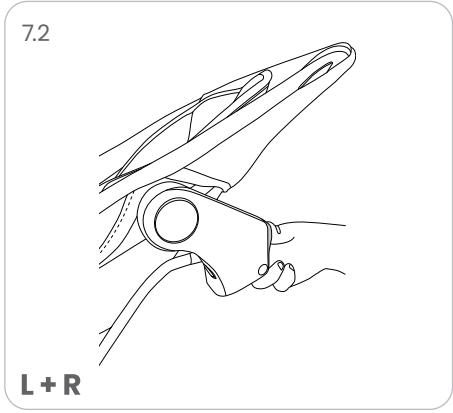
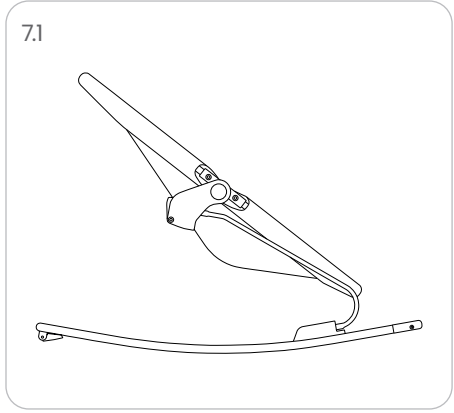
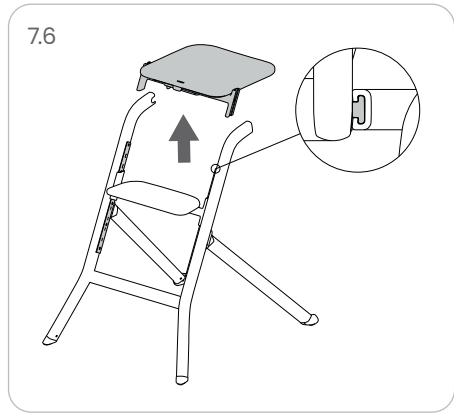
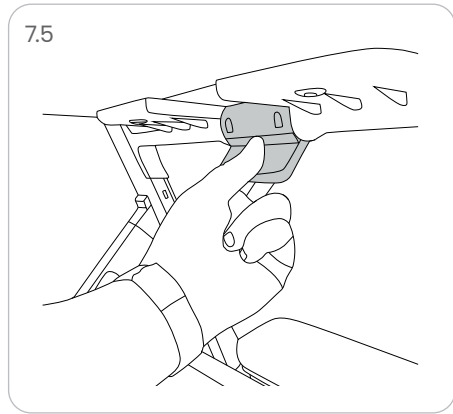
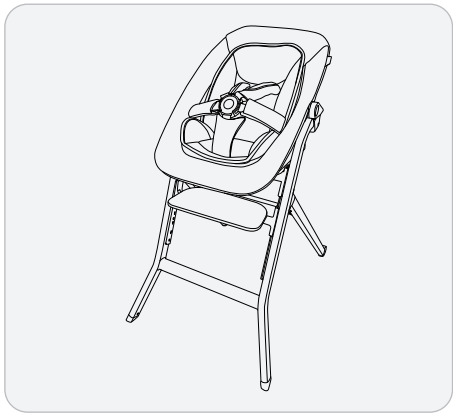
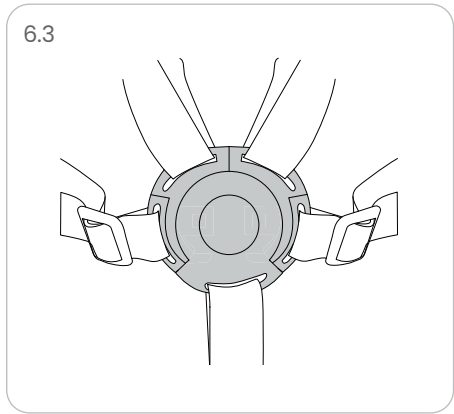
2X

1.4









Safety Notes

If you have any problems with this product, please contact your Silver Cross retailer who will take appropriate action. Safety of the Child is your responsibility.

WARNINGS

1. Never leave the child unattended.
2. Always use the restraint system.
3. Stop using the product when the child starts trying to sit up.
4. Never use this product on an elevated surface (e.g. a table).
5. Do not let the child sleep in this product. This product is not intended as a substitute for a baby cot. If the child falls asleep, move them to a suitable cot.
6. Do not move or lift this product when the child is in it.
7. Do not use the product if any of the components are damaged or missing.
8. Do not use accessories or replacement parts other than those approved by the manufacturer.
9. The recliner may only be folded by adults.
10. Do not place any objects in the recliner that could pose a danger to the child.
11. Always ensure that the harness is fastened and adjusted at all times.
12. Only use on a flat, level floor surface.
13. Do not use near stairs / steps.

14. Do not position the reclined cradle close to a source of heat e.g. household electric fires etc..
15. Do not let children play with this product.

Care & Maintenance

Seat Pad: Wash separately, warm 40°C. Do not tumble dry. After cleaning, check that the fabric and stitching are not damaged.

Frame: Wipe the frame using warm water and mild detergent. Ensure the product is fully dry before use or storage.

IM-TAD-251217-01r05 - Nest & Nurture Bouncer

Silver Cross

UK

Silver Cross (UK) Ltd.
Micklethorn, Bwroughton, Skipton,
North Yorkshire BD23 3JA

EU/PACIFIC

Silver Cross (Pacific) Ltd.
Office 527, Lee Garden Three,
1 Sunning Road, Causeway Bay,
Hong Kong

Silver Cross[®]

silvercrossbaby.com