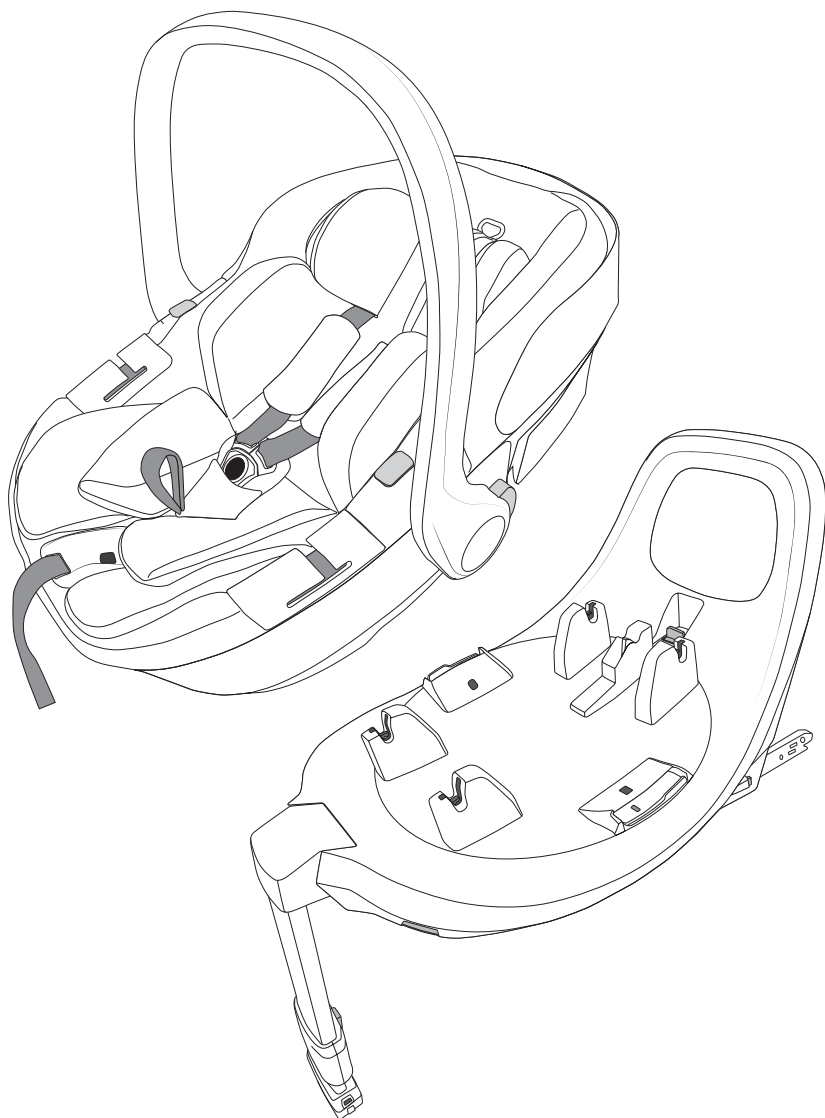


Oyster

CAPSULE 360 INFANT CAR SEAT
& 360 ISOFIX BASE



INSTRUCTION MANUAL

CONTENTS

- 3 Important Safety Information
- 5 Oyster Capsule 360 car seat overview
- 6 Handle adjustment
- 6 Recline adjustment
- 7 Side protection wings adjustment
- 7 Headrest adjustment
- 8 Using the harness
- 9 360 ISOFIX base overview
- 9 Support leg unfolding
- 10 Support leg folding
- 10 ISOFIX adjustment
- 11 Installation direction switch
- 11 Installing Capsule 360 car seat on 360 ISOFIX base
- 12 Removing the Car Seat from the ISOFIX base
- 12 Rotating the Car Seat
- 13 Installation using the Car Seat belt
- 14 Notice for using the Car Seat
- 15 Attaching the Car Seat to the Stroller
- 15 Release the Car Seat from the Stroller
- 16 Fabric care & cleaning
- 17 Using guide in vehicles
- 18 Warranty policy

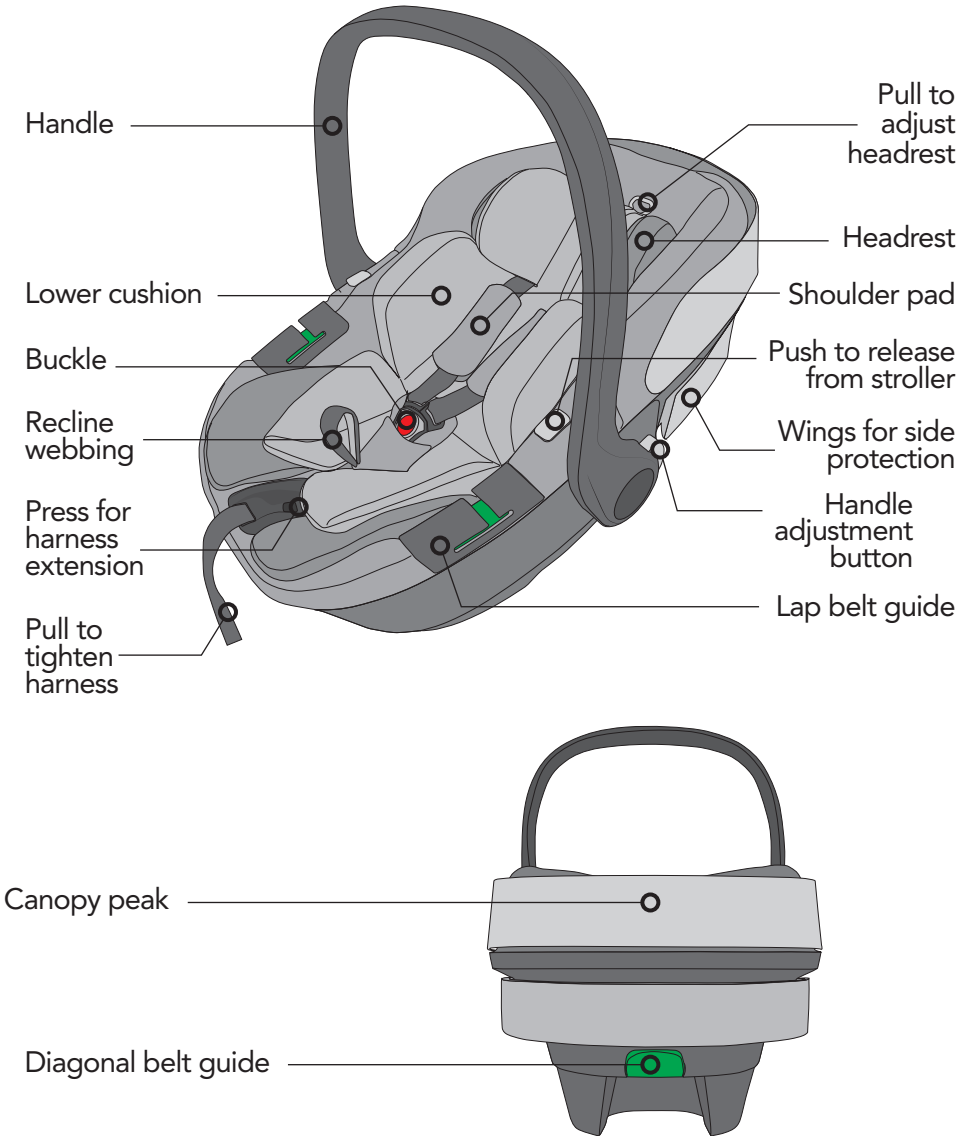
SAFETY INFORMATION

1. For this child restraint system you should also refer to the vehicle manufacturer's handbook.
2. This child restraint system must only be used with the integral harness. It is suitable for children up a stature of 87cm. Never overload the child seat with more than one child or with other loads.
3. **DO NOT** place rear-facing child seat on front seat with airbag.
4. Any straps securing the restraint to the vehicle should be tight, any support leg should be in contact with the vehicle floor, any straps or impact shields restraining the child should be adjusted to the child's body, and no straps shall be twisted.
5. It is important to ensure that any lap strap is worn low down, and that any impact shield is installed properly, so that the pelvis is firmly engaged.
6. The child restraint system should be replaced when it has been subject to violent stresses in an accident.
7. Do not make alterations or additions to the child restraint, it may affect the child's safety and could be dangerous. Follow closely the installation instructions provided by the child restraint manufacturer.
8. The child restraint can become hot when exposed to sunlight, exercise caution, the seat may be too hot for the child's skin.
9. Children should never be left unattended in this child restraint.
10. Any luggage or other objects liable to cause injuries in the event of a collision shall be properly secured.

SAFETY INFORMATION

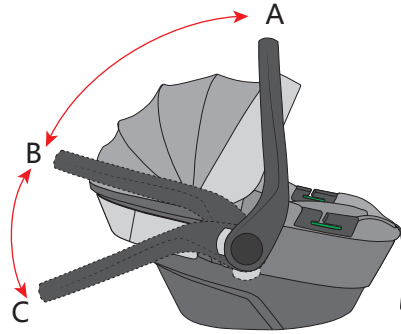
11. The child restraint shall not be used without the cover; And the seat cover should not be replaced with any other than the one recommended by the manufacturer, because the cover constitutes an integral part of the restraint performance.
12. These instructions should be retained for future reference for the life of the product.
13. Don't use any load bearing contact points other than those described in the instructions and marked in the child restraint.
14. Ensure the harness buckle is completely locked and easily accessible to enable rapid removal of the child in an emergency.
15. Rigid and plastic parts of this child restraint shall be so located and installed that they are not liable, during everyday use of the vehicle, to become trapped by a movable seat or in a door of the vehicle.
16. This child restraint should be kept away from any corrosive materials/items.
17. We guarantee this products quality from new, second-hand products are excluded, the guarantee is not transferrable. Using a second-hand child restraint could be dangerous to your child's safety.
18. Please contact our service hotline if you have any question about the use and installation of the child restraint system.

OYSTER CAPSULE 360 CAR SEAT OVERVIEW



The illustrations in this manual are used to demonstrate the operation of the product. Where there are small differences between the physical object and the illustrations, the physical object shall prevail.

HANDLE ADJUSTMENT



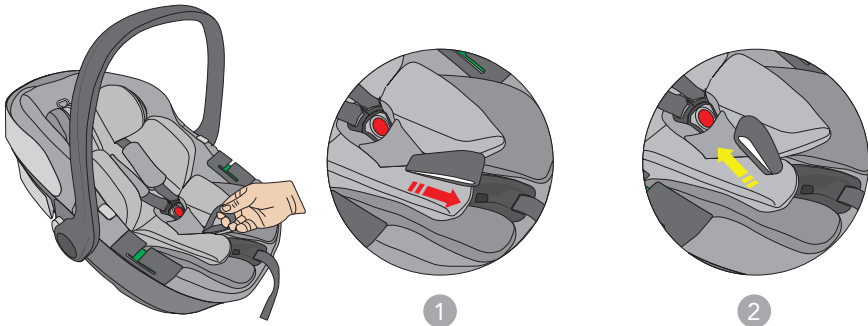
To press the left and right handle button simultaneously and revolve the handle in one of three positions A, B or C.

A: Vehicle position in the car or carry position outside of the car.

B: Middle position.

C: Stable position, non-rocking or the position to place the child into the carrier.

RECLINE ADJUSTMENT

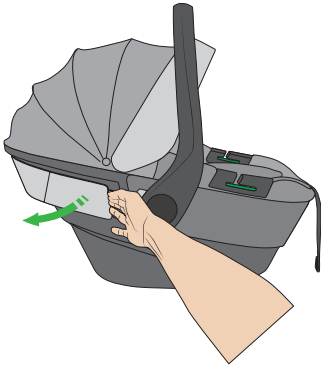


To lock the backrest into the recline position, pull the recline webbing in the direction of the arrow.

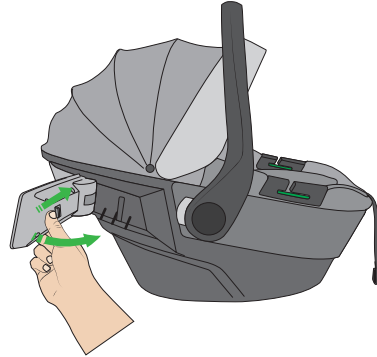
To unlock the backrest pull the webbing in the direction of the arrow (1), then pull the webbing in direction of the arrow (2)

Note: The harness straps must be loose when making adjustments to the recline.

SIDE PROTECTION WINGS ADJUSTMENT



Pull the wing open to adjust side protection.



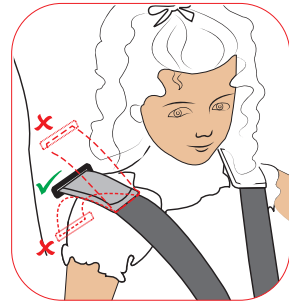
Push the button and pull back the wing to close it.

WARNING: Only open the wing close to your car door, and keep the another one closed during the journey.

HEADREST ADJUSTMENT



Pull the ring at the top of the headrest, move the headrest up or down to the desired position, release the ring to lock the position.

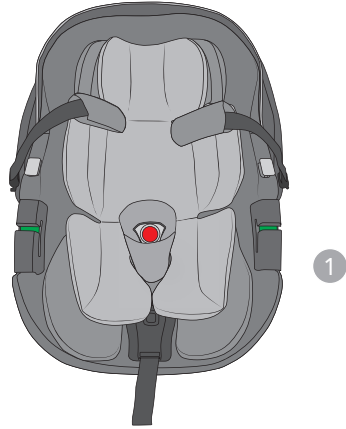


Set the shoulder pads to hold the child's shoulder closely in horizontal position. This is achieved by adjusting the headrest.

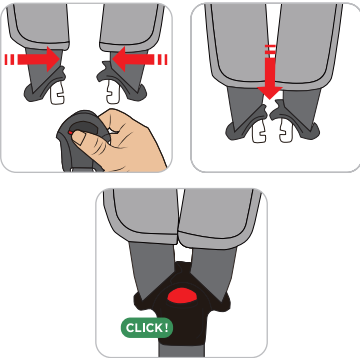
USING THE HARNESS



To loosen the harness, hold the centre adjustment button and loosen by pulling the straps simultaneously.



Press the red button (1) of the buckle to open it, separate the harness straps with shoulder pads to the side positions before placing the child in the seat.



To secure the harness, first connect the shoulder pad straps together, then push them into the buckle with a click.



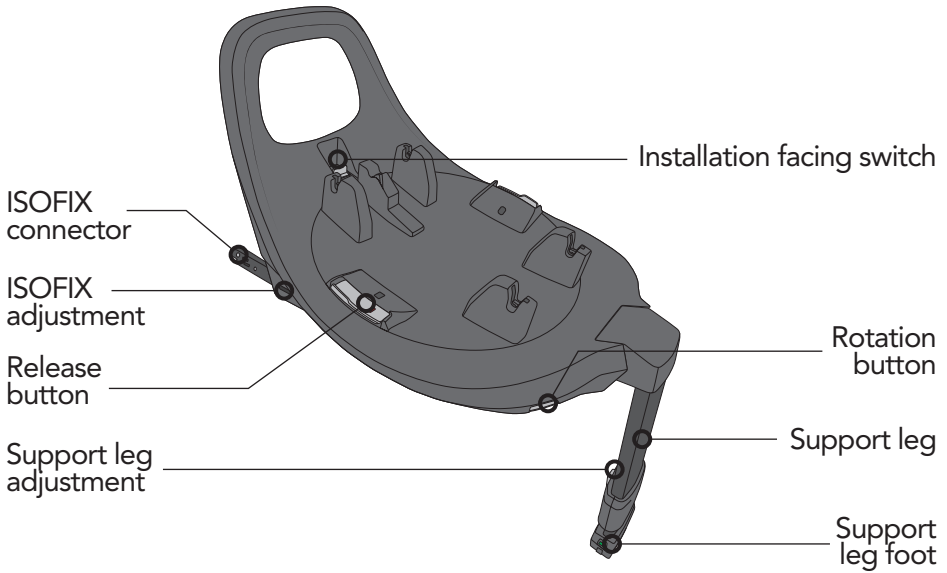
Baby height: 40-60cm with lower cushion.



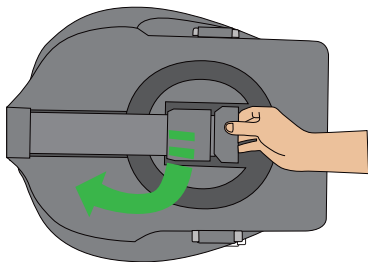
Baby height: greater than 60cm without lower cushion.

(1) Pull on the strap to secure the child firmly in the harness.

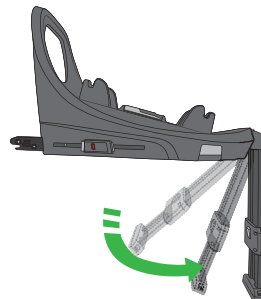
360 ISOFIX BASE OVERVIEW



SUPPORT LEG UNFOLDING

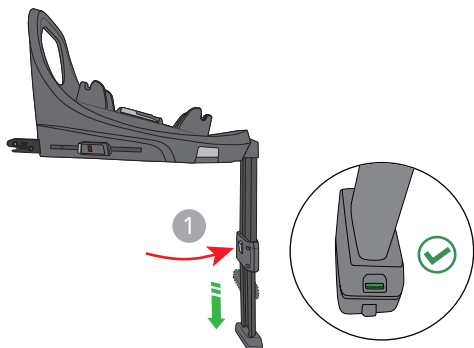


Pull out the leg from the bottom of the seat.

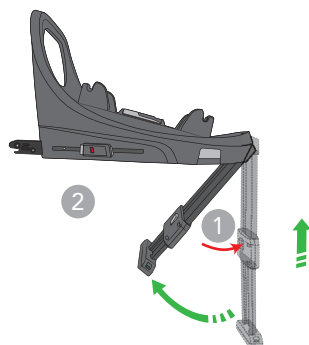


Pull the leg to the maximum angle.

SUPPORT LEG FOLDING

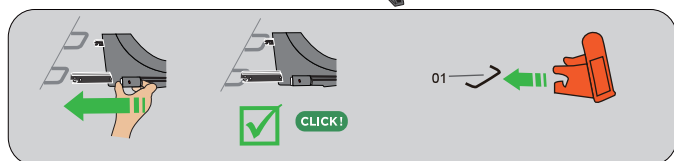
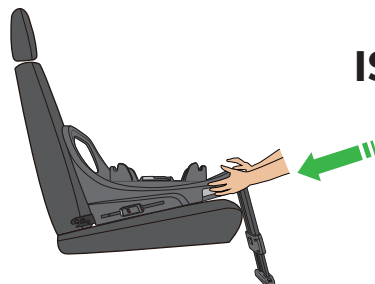


Press the button on the back of the leg joint (1), extend lower leg until it rests on the floor of the footwell, the indicator should show green when correctly positioned.



(1) Press the button on the back of the leg joint, and retract lower leg to the top position, (2) fold the leg up into place on the bottom of the base until you hear a "click".

ISOFIX ADJUSTMENT



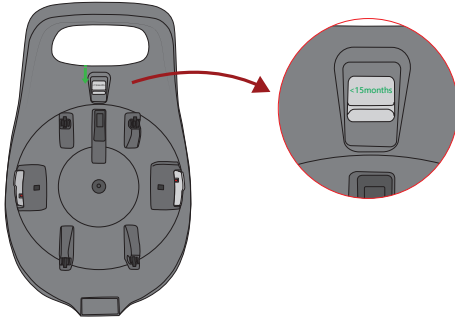
(1) Press the left and the right button of the ISOFIX adjustment, push out the ISOFIX connectors to the maximum extension.

Line up with the vehicle's ISOFIX anchor points, push the connectors together until you hear a "Click", the ISOFIX indicators should now show green. Push the base until it touches the back of vehicle seat.

To disconnect the ISOFIX base, press the left and the right buttons of the ISOFIX adjusters, pull the base away from the vehicle's seat.

INSTALLING THE OYSTER CAPSULE 360 CAR SEAT ON THE 360 ISOFIX BASE

INSTALLATION DIRECTION SWITCH

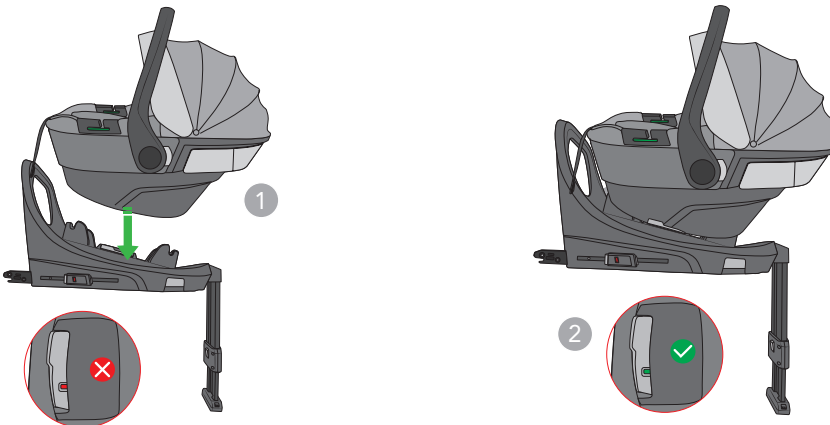


Keep the light grey switch at <15 months position, so that seat can not be installed in forward direction.

Installation facing switch must be in the <15 month position when using the Oyster Capsule 360 Car Seat.

ATTACHMENT ON THE ISOFIX BASE

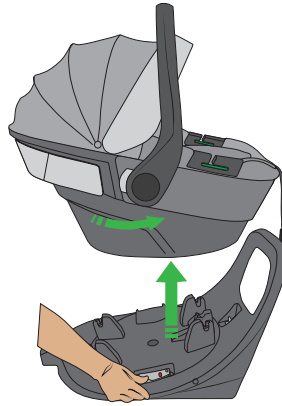
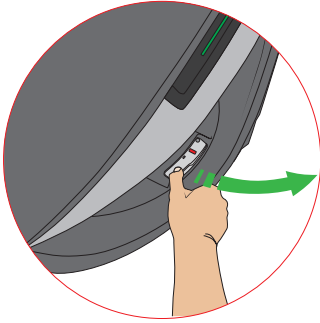
WARNING: Lower the carrier with the child onto the base. If the car seat is fitted correctly, the indicator colour will change from red to green.



(1) Attach the seat on the base with a "Click". (2) The indicator should now show green when correctly attached.

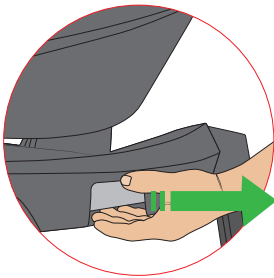
WARNING: If there is any under floor storage in the area where the support leg touches down. Do not use the ISOFIX base in this position.

REMOVING THE CAR SEAT FROM THE 360 ISOFIX BASE



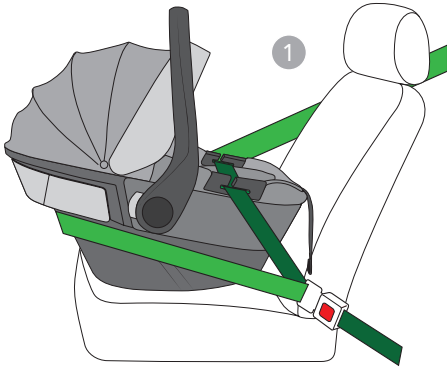
Pull the left or right release levers and lift the seat from the base.

ROTATING THE CAR SEAT



Pull the rotation lever to the maximum position, rotate the seat to the desired position. The seat will lock automatically when rearward facing.

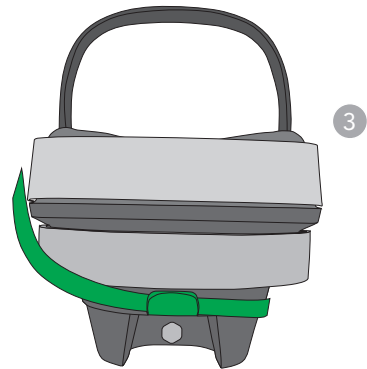
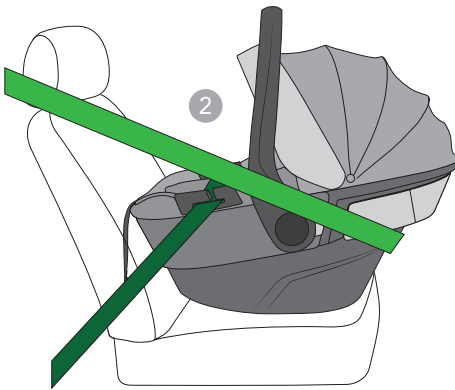
INSTALLATION USING THE CAR SEAT BELT



Place the car seat facing the rear of the vehicle on the vehicle seat.

Pull out the vehicle seat belt and route it over the car seat. Lock the buckle tongue in place in vehicle seatbelt, the belt section (picture 1 and 2) show the lap belt position.

WARNING: Do not use this car seat in any seating positions where a frontal airbag is activated. An active airbag may cause death or serious injury during an accident.



Take the diagonal section of the seat belt shown in solid green (pictures 1, 2, 3) and route it around the back of the car seat and through the rear guide 3 (picture 1 and 3).

WARNING: It may be that the buckle part of the car seat belt is too long so that it reaches the green belt guides of the car seat. This means that the car seat cannot be fastened tightly. If this is the case, choose another seat in the car for the fitting of the car seat.

NOTICE FOR USING THE CAR SEAT AND BASE TOGETHER:

1. This is an i-Size Enhanced Child Restraint System (ECRS). It is approved according to UN Regulation No. 129, for use in, i-Size compatible vehicle seating positions as indicated by vehicle manufacturers in the vehicle users' manual.
2. If in doubt, consult either the Enhanced Child Restraint System manufacturer or the retailer.

NOTICE FOR USING THE CAR SEAT (WITHOUT THE BASE):

1. This is a Universal Belted Enhanced Child Restraint System. It is approved according to UN Regulation No.129, for use primarily in "Universal seating positions" as indicated by vehicle manufacturers in the vehicle user's manual.
2. If in doubt, consult either the Enhanced Child Restraint System manufacturer or the retailer.

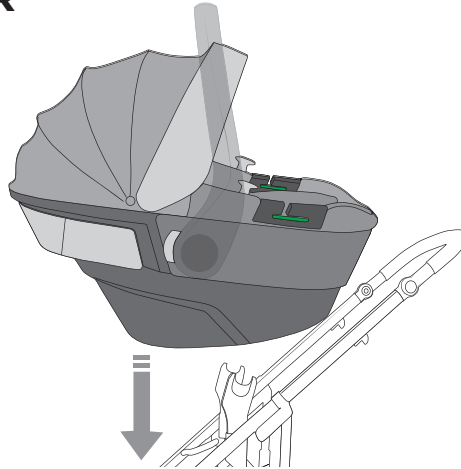
WARNING:

If there is any under floor storage in the area where the support leg touches down. Do not use the ISOFIX base in this position. Lower the carrier with the child onto the base, if the car seat is fitted correctly the indicator color will change from red to green.

ATTENTION:

The car seat should only ever face the back of the car when fitted.

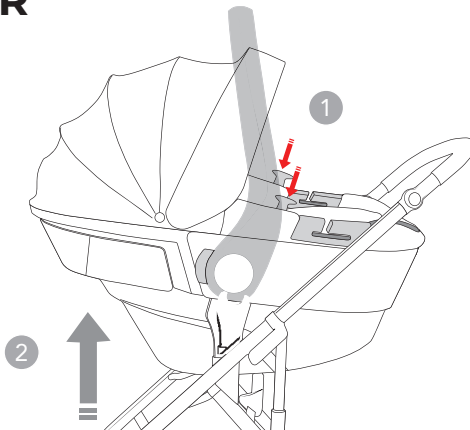
ATTACHING THE CAR SEAT TO THE STROLLER



Keep the handle straight, and lower the car seat onto the adaptors on the stroller; carrier will be locked automatically.

WARNING: Check the car seat is secure before use.

TO RELEASE THE CAR SEAT FROM THE STROLLER

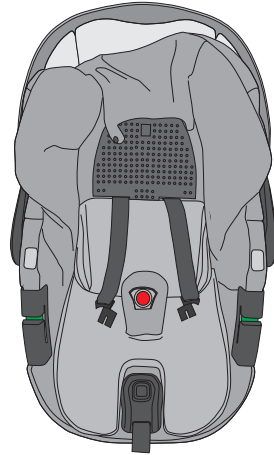
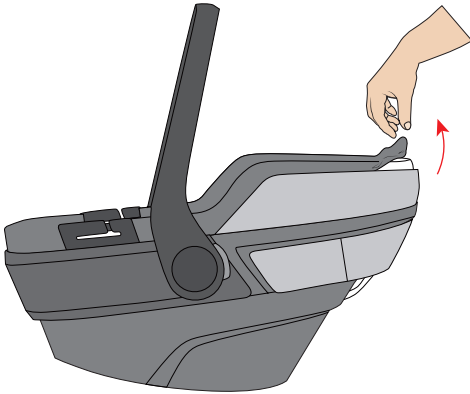


Push the two release buttons simultaneously then lift the handle to release the car seat from the stroller.

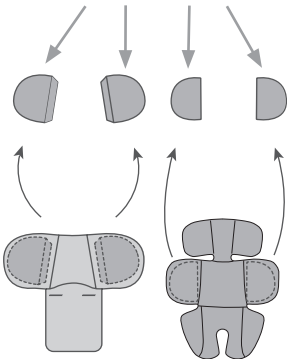
Or push the two buttons respectively within 7 seconds, the car seat can be lifted from the stroller by one hand.

FABRIC CARE & CLEANING

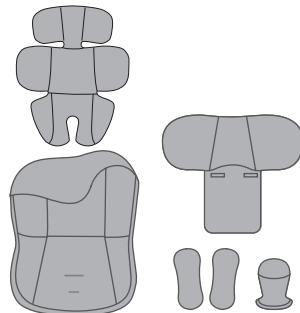
The cover and the belt can be sponge cleaned with lukewarm soapy water. The plastic parts can be cleaned with a mild detergent and warm water, do not use aggressive cleaning agents. Where individual items are provided with care labels follow the specific guidelines on the label.



These 4 pads should not be washed.



All washable fabrics, hand wash only.



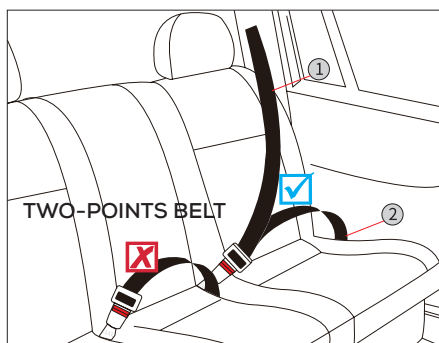
USING GUIDE IN VEHICLES

WARNING:

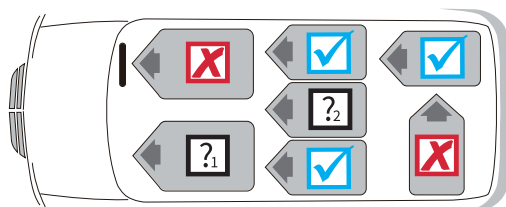
DO NOT use this car seat in a seating position where a frontal airbag is activated. An active frontal airbag may cause death or seriously injury of your child in an accident.

Only suitable if the approved vehicles are fitted with 3 point/with retractor safety-belts, approved to UN/ECE Regulation No. 16 or other equivalent standards.

The car seat is not suitable for use with a two-point or lap seatbelt. Securing with a two-point seatbelt could result in serious or fatal injuries to the child in the event of an accident.



- Available position
- Unavailable position
- ① Shoulder belt
- ② Lap belt



WARRANTY POLICY

KEEP YOUR ORIGINAL RECEIPT OF PURCHASE SAFE WITH YOUR WARRANTY INFORMATION

Your Oyster Warranty

At BabyStyle we pride ourselves in producing and delivering high quality products with our customers safety and wellbeing at the forefront of our minds.

Date of effect

The warranty of this product becomes valid from the date of purchase as stated on the original receipt of purchase. This does not affect your statutory rights.

Registering your Oyster product

Thank you for purchasing an Oyster product. To activate your warranty and register your product visit www.babystyledirect.co.uk/register-product/ to complete the registration online.

We are proudly
part of the



bpia.co.uk

WARRANTY POLICY

At BabyStyle, we guarantee your product has been manufactured in accordance with all current European safety standards which are applicable to this product, and that the product is free from defects in workmanship and material at the time of purchase.

During the production process this product has gone through rigorous quality checks. Despite our efforts, if this product does show manufacturing or material defect within the 24 consecutive months warranty period we will comply with the warranty terms and conditions providing the product has been used for normal use as described within the instruction manual and it has been serviced and maintained correctly also described in the instruction manual.

For further information please contact the place of purchase. Please retain your original receipt of purchase as it will be required should you need to use your warranty. The warranty (24 consecutive months) only applies to the original purchaser and is non-transferable.

The warranty will be invalidated in the following circumstances:

A - This product has not been used for its purpose other than described within the instruction manual.

B - The product is returned for repair through a dealer which is not authorised by BabyStyle.

C - If the defect is a result of improper use or incorrect maintenance, negligence or impact damage.

D - If the original receipt of purchase cannot be provided.

E - If the parts show normal wear that may be expected from regular use of the product.

Oyster

36 Charles Street, Sileby,
Leicestershire LE12 7RJ.

T: 01509 816444

E: info@babystyle.co.uk

©BabyStyle UK Ltd 2025
JG0950231225