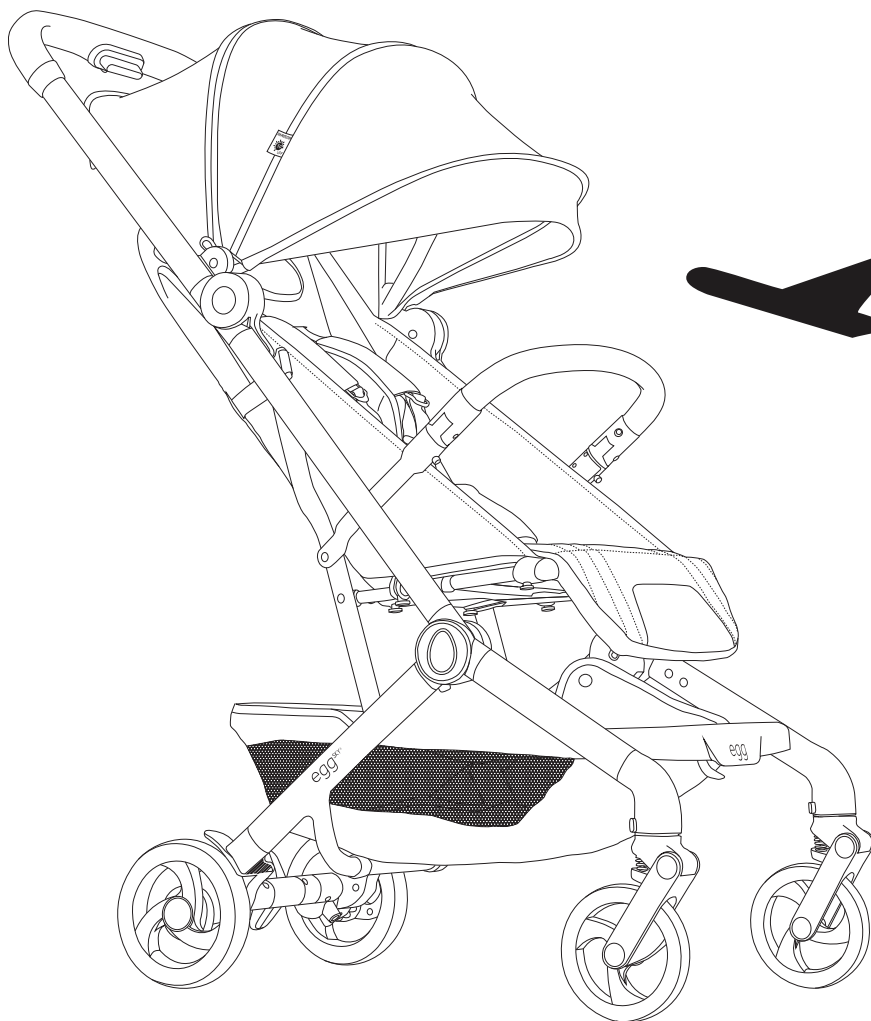


egg^{SKY}[®]



INSTRUCTION MANUAL

**SCAN TO REGISTER
YOUR WARRANTY**



CONTENTS

- 3 Important information and warnings
- 4 Warnings continued
- 5 What's in the box
- 6 Assembly
- 7 Fitting the bumper bar and adjusting calf rest
- 8 Adjusting the back rest and harness adjustment
- 9 Brake adjustment and canopy adjustment
- 10 Rear and front wheel removal/installation
- 11 Folding the stroller
- 12 Back ventilation window and rain cover fitting

- 13 Care and maintenance
- 14 Warranty policy
- 15 Warranty terms

IMPORTANT! READ CAREFULLY AND KEEP FOR FUTURE REFERENCE.

Important Safety Information.

This vehicle is intended for children from birth to a maximum of 22kg.

The seat unit is suitable for one child only to the maximum weight stated above.

It is important that any person intending to use this stroller understands the instructions.

WARNING:

- Never leave your child unattended.
- Ensure that all locking devices are engaged before use.
- To avoid injury ensure that the child is kept away when unfolding and folding this product.
- Do not let the child play with this product.
- Always use the restraint system (safety harness).
- Check the chassis is correctly engaged before use.
- This product is not suitable for running or skating.
- The maximum weight for the shopping basket is 3kg.
- Never lift/carry the chassis while occupied. Your child's safety may be at risk.
- Do not use the vehicle on steps, stairs or escalators; as it may be dangerous to your child.

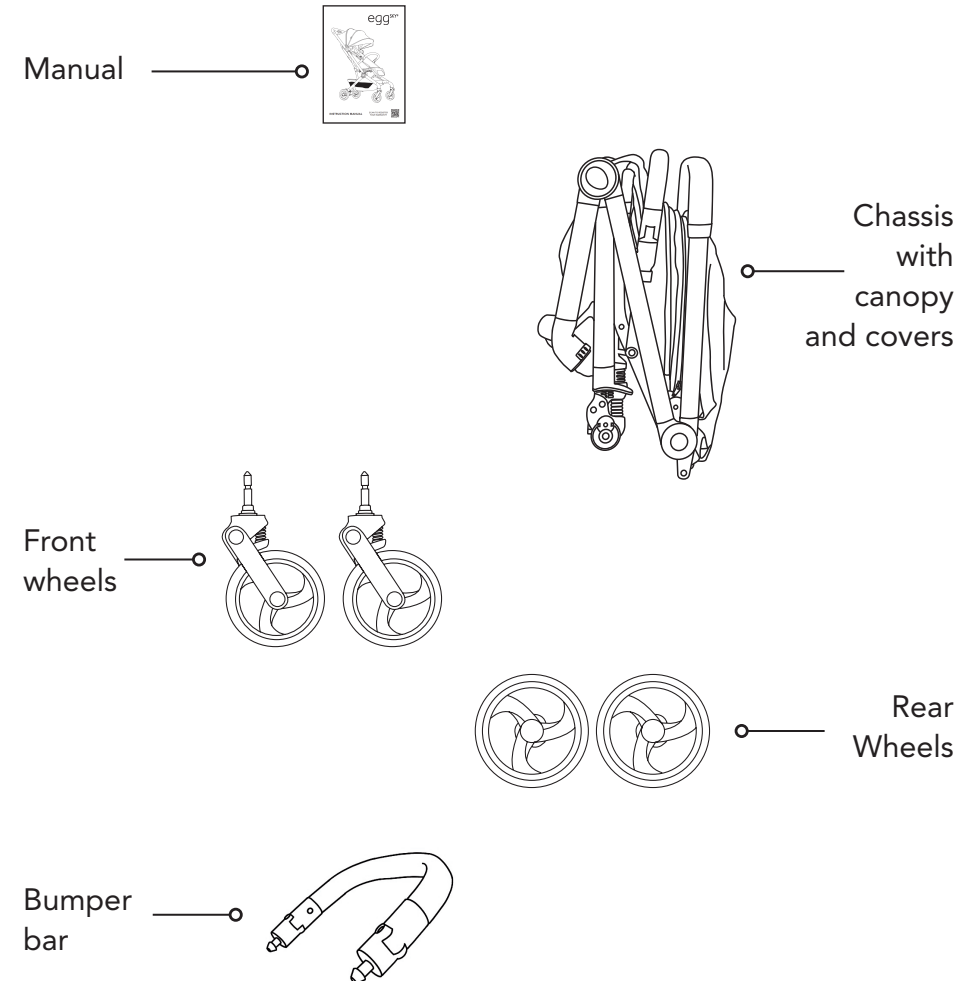
WARNING:

- Always descend/mount kerbs on the back wheels, do not tip the stroller forward.
- Any load attached to the handle and/or on the back of the backrest and/or on the sides of the vehicle will affect the stability of the vehicle.
- Always use the seat in the most reclined position for new born babies to approx. 6 months.
- Always use the crotch strap in combination with the waist belt.
- Never leave the stroller without first engaging the parking device. Avoid uphill or downhill parking.
- Never use a parasol attached to the stroller if there is wind.
- Do not use accessories that are not approved by the manufacturer.
- Do not use replacement parts other than those supplied by the manufacturer or supplier.
- This vehicle shall be used as a single occupancy child vehicle up to a maximum of 22kg.
- The stroller is suitable for children from birth to 22kg or 4 years whichever comes first.
- The parking device (brake) shall be engaged when placing and removing children.

Manufactured and tested in compliance with
BSEN1888-2+A1:2022

The illustrations in this manual are used to demonstrate the operation of the product. Where there are small differences between the physical object and the illustrations, the physical stroller shall prevail.

WHAT'S IN THE BOX

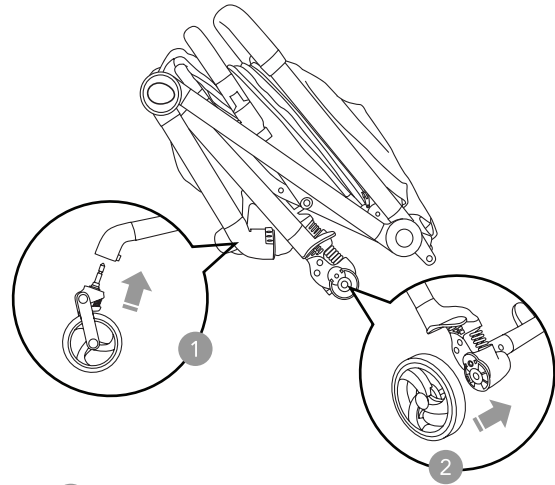


WARNING: Any plastic packaging should be immediately removed and kept out of the reach of children to avoid any suffocation hazard.

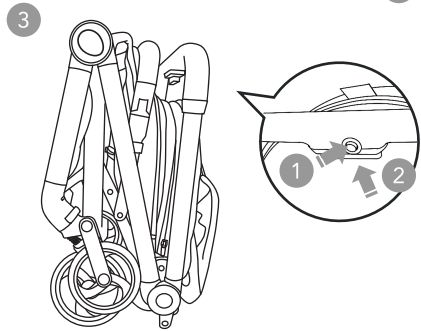
ASSEMBLY

(1) Attach both of the front wheels by pushing up until you hear a click.

(2) Attach both of the rear wheels by pushing in until you hear a click.

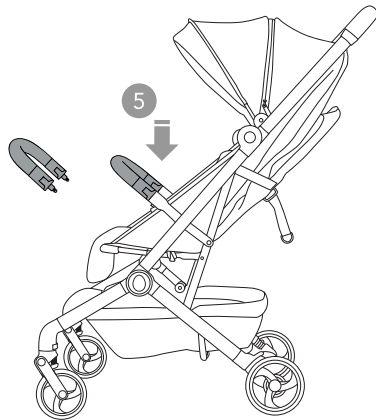


(3) Push in '1' and pull in '2' to unfold the stroller.

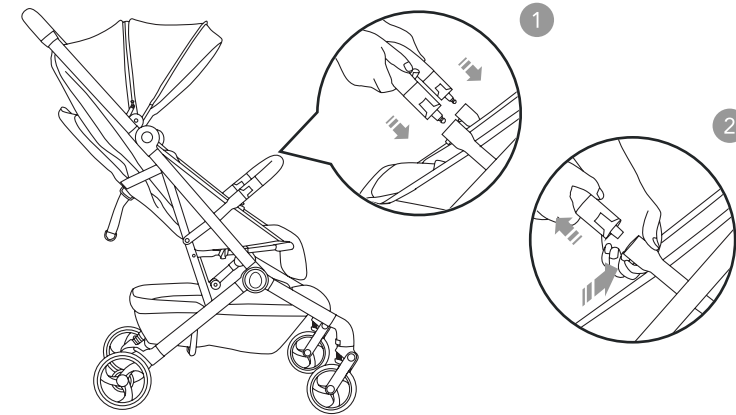


(4) Lift up the handle until the stroller clicks into place.

(5) Push the bumper bar into both ends until you hear clicks.



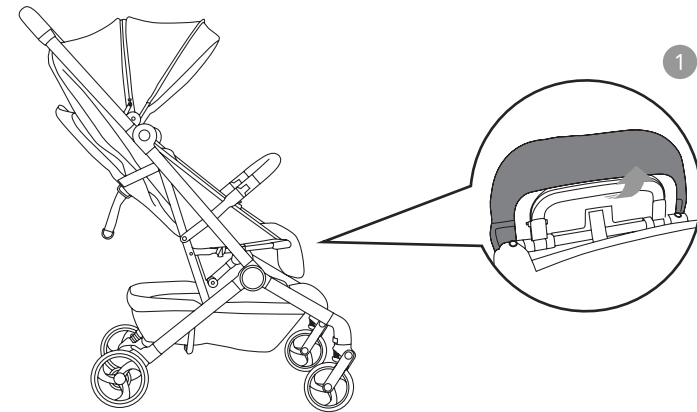
FITTING THE BUMPER BAR



(1) Fitting - Attach the bumper bar by pushing it into both ends until you hear the clicks.

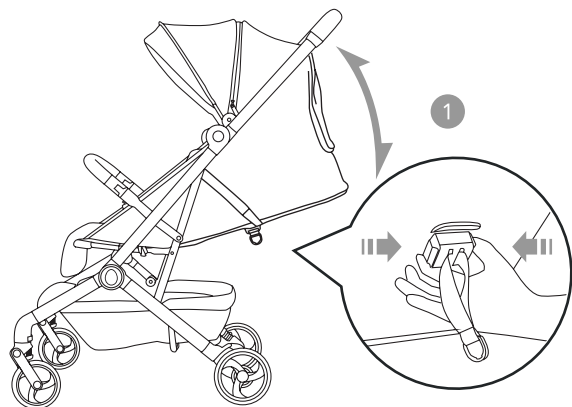
(2) Removal - Hold down the buttons on both sides and lift the bar upwards to release.

ADJUSTING THE CALF REST



(1) Adjustment - Push in the lever underneath the calf rest to adjust its angle.

ADJUSTING THE BACK REST

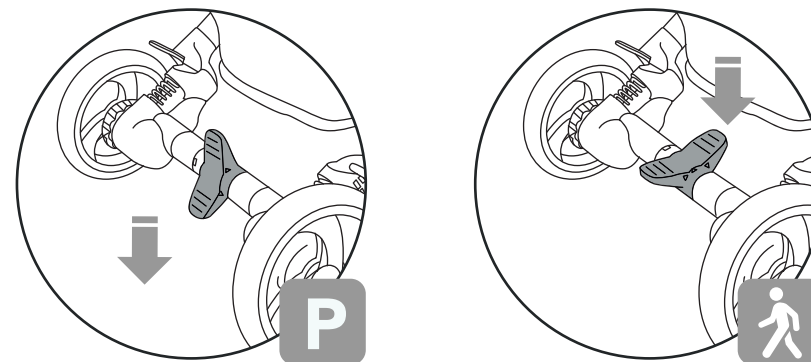


(1) To lower - Release the back strap using the popper, then press in the lever and pull down.

(2) To raise - Lift up the seat with one hand, then pull the strap with your other arm and connect to the popper.

WARNING: Use in fully reclined position from birth to approx. 6 months old. Always use harness.

BRAKE ADJUSTMENT

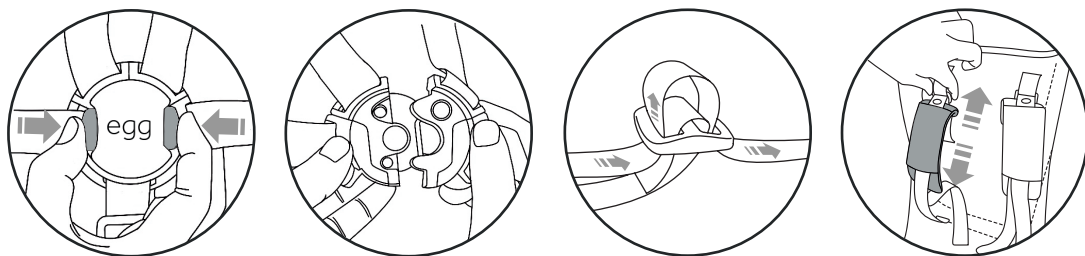


(1) Parked - Step on the brake pad at the rear wheel bar to apply the brake.

(2) Mobile - To release the brake, either lift up the brake pad or push down on the highest pad.

WARNING: Always engage the parking device, when placing and removing children.

HARNESS ADJUSTMENT



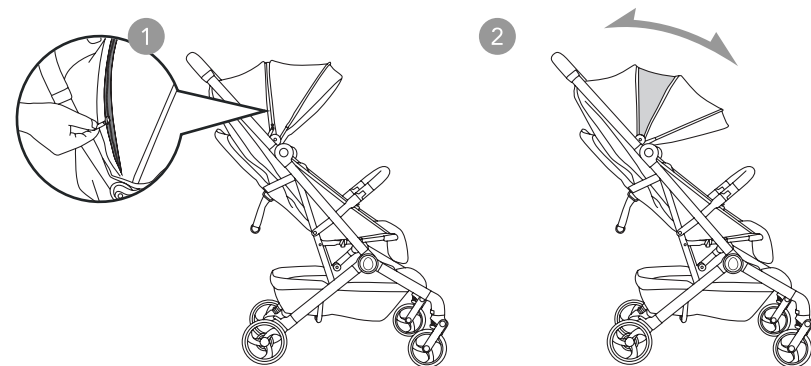
(1) Press in buttons and lift to release the 5-point magnetic buckle.

(2) Hold to two magnetic parts and pull away from each to separate.

(3) Slide the buckles to adjust the length of the straps.

(4) Slide the buckles to adjust the length of the straps.

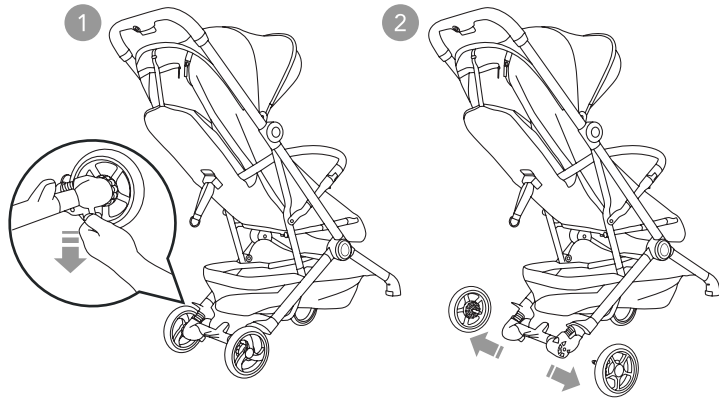
CANOPY ADJUSTMENT



(1) Pull the canopy forward to open. Unzip the canopy.

(2) Pull the canopy to further extend and to reveal the ventilation window.

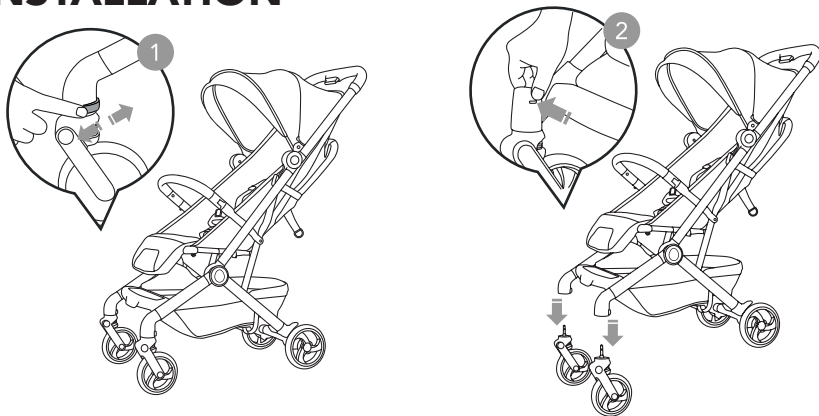
REAR WHEEL REMOVAL/ INSTALLATION



(1) Lift and hold up the button with one hand, then pull the wheel away from the chassis with the other hand.

(2) To install: Place the wheel into the bracket until you hear a 'click' sound.

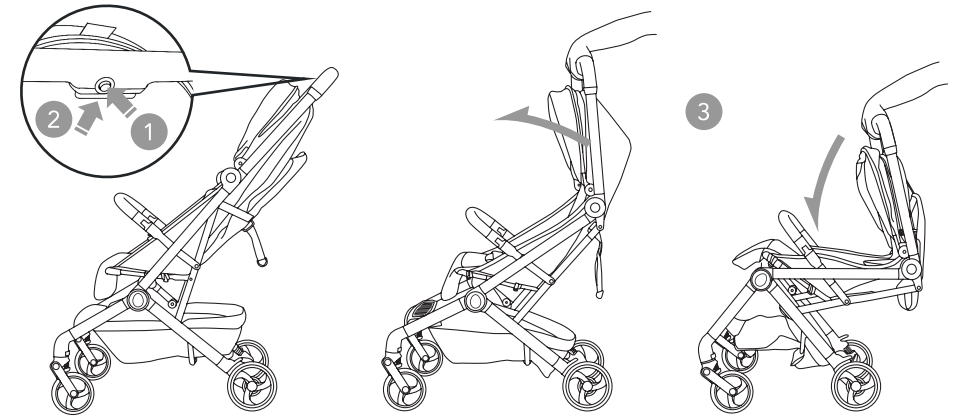
FRONT WHEEL REMOVAL/ INSTALLATION



(1) Twist the button to lock the wheels in the forward position.

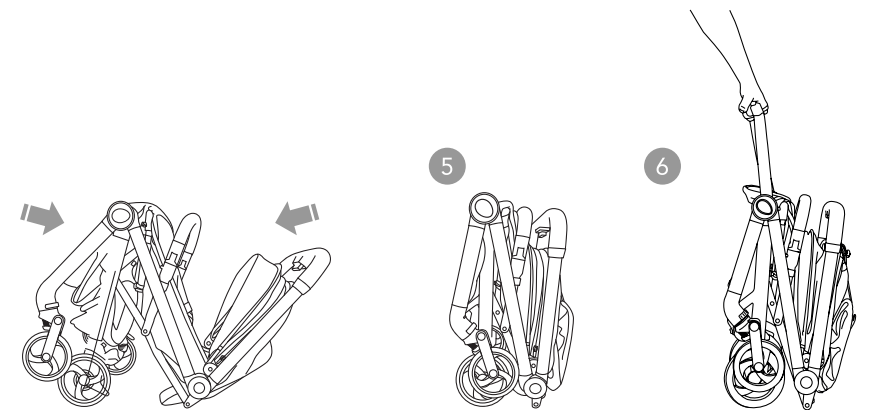
(2) Click in the button and remove the wheel. To install: place the wheel into the bracket until you hear a 'click' sound.

FOLDING THE STROLLER



Push and hold in button (1) and pull in button (2). Then lightly push forwards.

(3) Whilst holding the handlebar, guide the chassis as it folds downwards.



(5) The chassis should then fold into its free-standing position.

(6) Locate the elasticated carry strap for easy manoeuvring.

BACK VENTILATION WINDOW



(1) Unzip the window fully to reveal the ventilation mesh.

(2) Roll up the fabric covering the window, then attach the toggle into the loop to hold the fabric.

RAIN COVER FITTING

The stroller includes a clear overall rain cover. Always use the rain cover in inclement conditions. To fit the rain cover, unfold the cover and unfasten the large velcro openings. Place the cover over the stroller so the rain cover goes under the handlebar, fasten the velcro around the chassis at both sides. Connect the lower front plastic toggles to the loops by going around the front wheel housing for both sides. To remove the cover, unfasten the toggles at the front and release the velcro at the sides of the chassis, then lift the cover away.

CARE AND MAINTENANCE

- Regularly check screws, rivets, bolts and fastenings to ensure they are locked tight and secure. Replace any parts in an inferior condition. When using this product during the winter, by the sea or off road it is important to clean using fresh water and dry thoroughly. Salt water and salt and grit from the roads will corrode metal parts unless removed.
- Check on a regular basis that all chassis locking devices are working correctly.
- If any part of the product is damaged, contact your local egg retailer immediately without using the pushchair.
- Do not expose the product to excessive sunlight, even normal exposure to sunlight may cause change to the colour of the fabrics.
- Take care not to tear fabrics when transporting the stroller.
- Light oil or petroleum jelly (vaseline®) can be used to lubricate moving parts. Periodically remove the rear wheels; clean, lubricate and replace.
- Ensure all zips are either fully open or closed to prevent damage.
- Always use the rain cover in inclement weather.
- Do not place items on top of the hood/canopy, it could damage the fabrics or render the product unsafe.
- Any load attached to the handle and/or on the back of the backrest and/or on the sides of the stroller will affect the stability of the stroller.
- Tyres can leave marks on some surfaces such as vinyl flooring or carpet.
- Fabrics should only be cleaned in accordance with the care labels.
- Do not place fabrics in a washing machine; hand wash or sponge clean only using mild detergent and warm water (30°C).

WARRANTY POLICY

KEEP YOUR ORIGINAL RECEIPT OF PURCHASE SAFE WITH YOUR WARRANTY INFORMATION

It will be required should you unfortunately find a defect. The receipt must show the date of purchase clearly. In the first instance you must contact the original place of purchase. Repairs to any part of this product do not extend the warranty period. Do not return your product direct to the manufacturer.

SERVICING OF YOUR EGG SKY STROLLER

We recommend that this product is regularly maintained and is serviced by a BabyStyle authorised dealer at least every 12 months. Only replacement parts supplied or recommended by the manufacturer/distributor should be used.

DISCLAIMER

Whilst we believe the information set out in this instruction manual to be correct and reliable at the time of print, we do not accept responsibility for its accuracy and we shall not be liable for its interpretation and its use. We reserve the right to change, modify, add or delete product specifications at any time without prior notice.

YOUR WARRANTY POLICY

At BabyStyle, we guarantee your product has been manufactured in accordance with all current European safety standards which are applicable to this product, and that this product is free from any defects in workmanship and material at the time of purchase. During the production process this product has gone through rigorous quality checks. Despite our efforts, if this product does show a manufacturing or material defect within the 24 months warranty period for the chassis and seat frames and 6 months seat fabrics and PVC rain cover, we will comply to the warranty terms and conditions providing the product has been used for normal use as described within the instruction manual and it has been serviced and maintained correctly as described in the instruction manual, for further information please contact the place of purchase. Please retain your original receipt of purchase safely.

WARRANTY TERMS

- Chassis: 24 consecutive months.
- Fabrics, accessories and PVC rain cover: 6 consecutive months.
- The warranty only applies to the original purchaser and is non-transferable.

The warranty will be invalidated in the following circumstances:

- The product has not been used for its intended purpose as described within the instruction manual.
- If the product is returned for repair through a dealer not authorised by us.
- If the original receipt of purchase cannot be provided.
- If the defect is as a result of improper use or incorrect maintenance, negligence or impact damage.
- If the parts show normal wear and tear that may be expected from daily use of the product (wheels, rotating or moving parts etc).
- The warranty of this product becomes valid from the date of purchase as stated on the original receipt of purchase. This does not affect your statutory rights.

Register your product today at eggstroller.com

We are proudly
part of the



bpiia.co.uk

egg[®]

36 Charles Street, Sileby,
Leicestershire LE12 7RJ.

T: 01509 816444

E: info@eggstroller.com
eggstroller.com

©BabyStyle UK Ltd 2025
JG1208251246